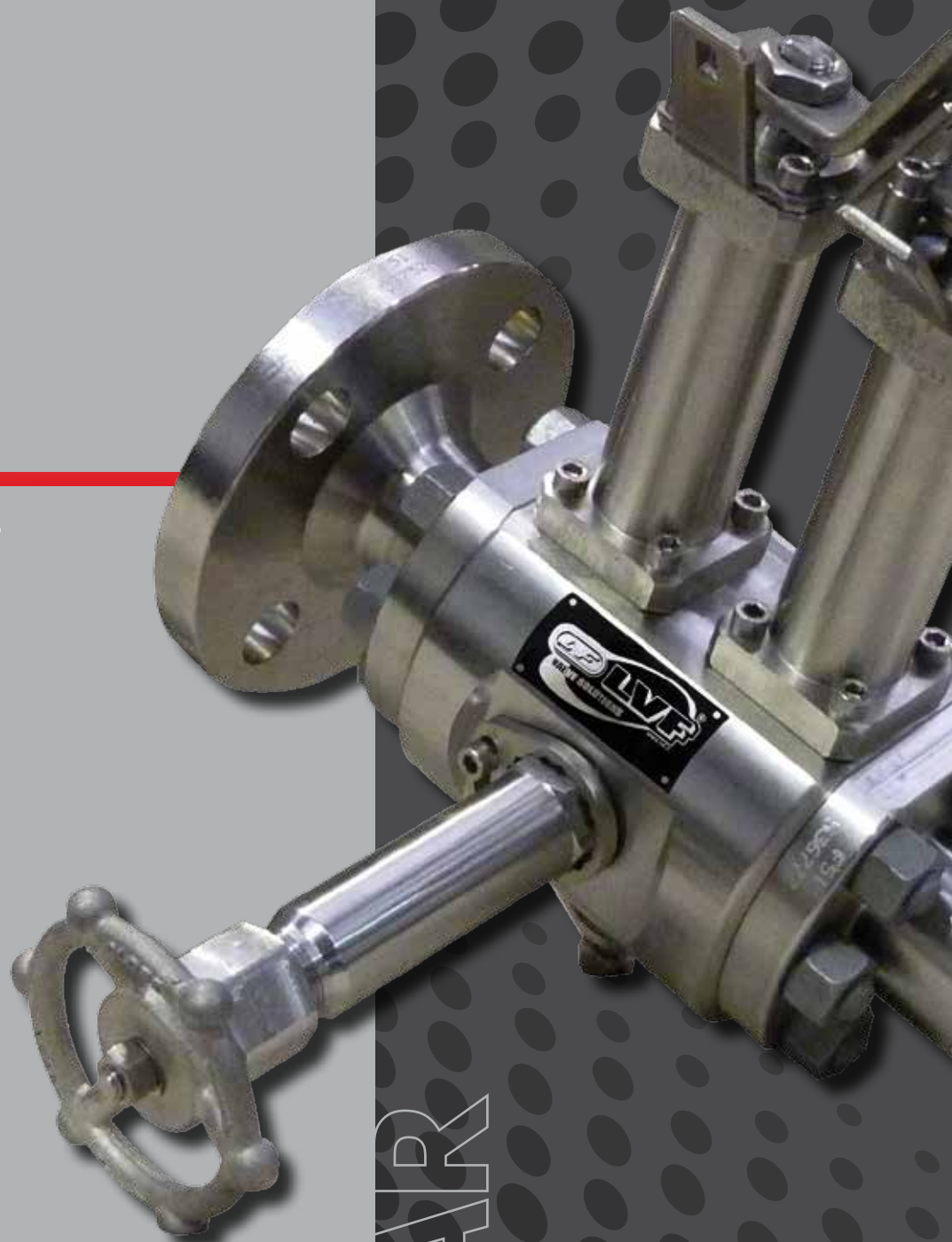


Modular VALVES

- DB&B - SB&B



MODULAR

Modular

1



HEADQUARTERS & MACHINING PLANT

2



TESTS, ASSEMBLY & SHIPPING PLANT

3



RAW MATERIAL WAREHOUSE

4



WAREHOUSE



LVF S.p.A.
 Via Giuseppe Mazzini, 6
 24060 SAN PAOLO D'ARGON (BG) - Italy
 P.Iva 03076750169
 Phone: +39 035 4255211
 Fax: +39 035 959210
 info@lvf.it - www.lvf.it



MODULAR Ball Valves

Construction: Split Bolted Body, Top Entry, Screwed End Entry, Floating & Trunnion, Soft or Metal Seated

Main Design Codes: ASME B16.34, EEMUA182, API 6A

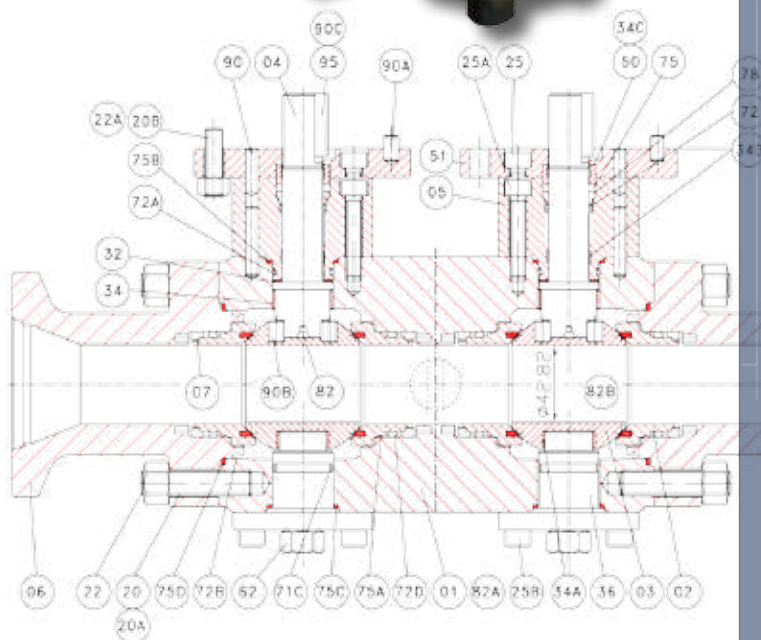
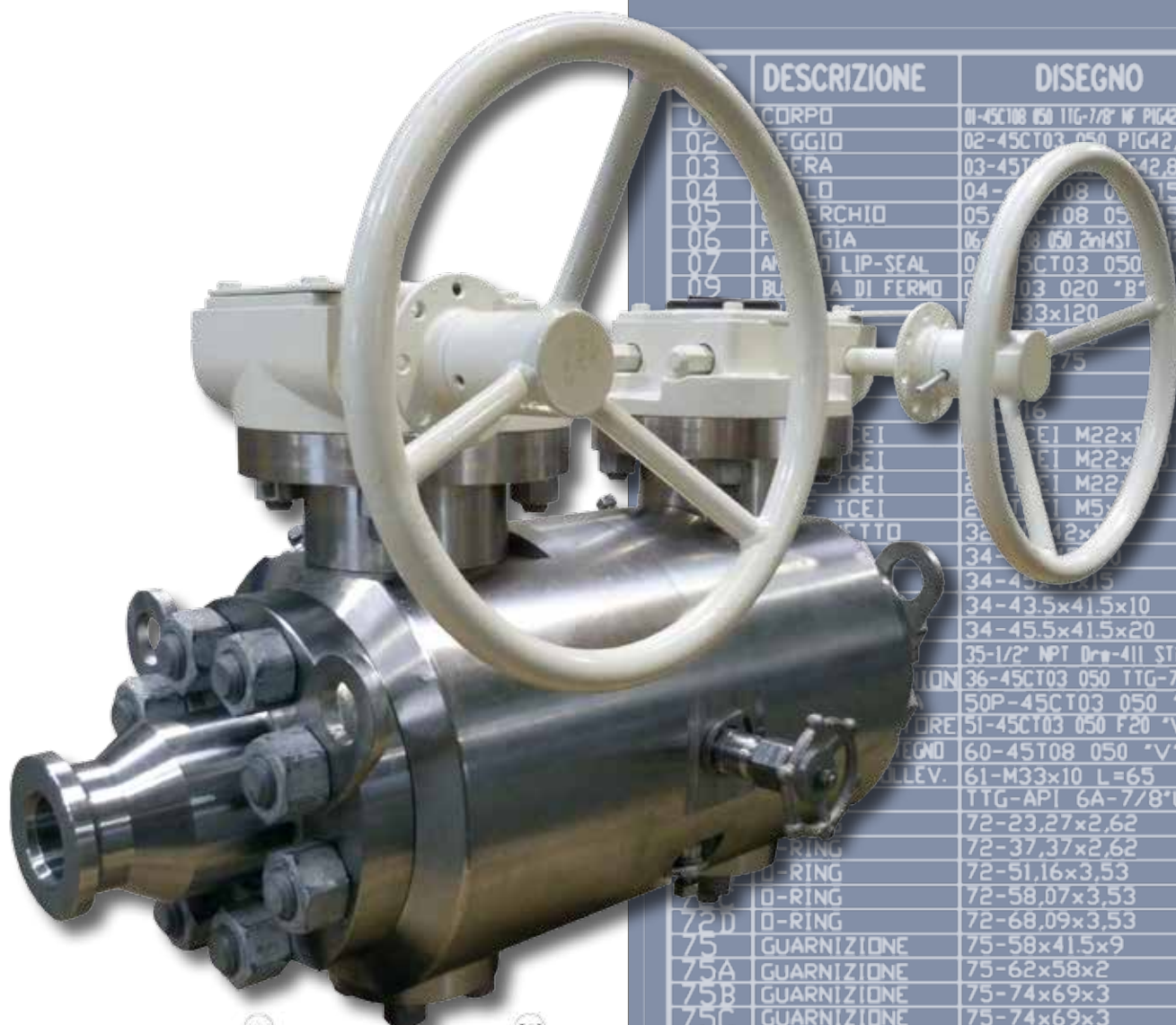
Pressure Class: ANSI 150# - 4500#

Size Range: Acc.to customer's request

API 6A Pressure Class: 3000 - 15000

Ends: SW, NPT, BW, RF, RJ, HUB, Compact Flange, Quill.

Any combination can be provided (Ball/ Needle/Ball or any other). Alternative customized solutions can be provided including design for cryogenic service and high temperature application



| | DESCRIZIONE | DISEGNO | STATO |
|----|-----------------|---|--------|
| 01 | CORPO | 01-45CT08 050 TTG-7/8" NF PIG42,82 "V" | TONDO |
| 02 | REGGIO | 02-45CT03 050 PIG42,82 "V" | TONDO |
| 03 | PERA | 03-45CT03 050 PIG42,82 "V" | TONDO |
| 04 | VALLO | 04-45CT08 050 PIG42,82 "V" | TONDO |
| 05 | ARCHIO | 05-45CT08 050 PIG42,82 "V" | TONDO |
| 06 | FERRAGLIA | 06-45CT03 050 PIG42,82 "V" | TONDO |
| 07 | ANELLO LIP-SEAL | 07-45CT03 050 PIG42,82 "V" | TONDO |
| 09 | BULLA DI FERMO | 09-45CT03 050 PIG42,82 "V" | TONDO |
| | | 33x120 | |
| | | 75 | |
| | | 16 | |
| | CEI | CEI M22x1 | |
| | CEI | CEI M22x1 | |
| | CEI | CEI M22x1 | |
| | TCEI | 27x1 M5 | |
| | SETTO | 32x12x1 | |
| | | 34 | |
| | | 34-45CT03 | |
| | | 34-43,5x41,5x10 | |
| | | 34-45,5x41,5x20 | |
| | | 35-1/2" NPT D _{int} -411 ST13 RE | |
| | TON | 36-45CT03 050 TTG-7/8" "V" | TONDO |
| | | 50P-45CT03 050 "V" | TONDO |
| | ORE | 51-45CT03 050 F20 "V" A | TONDO |
| | EGNO | 60-45T08 050 "V" | |
| | LEV. | 61-M33x10 L=65 | |
| | | TTG-API 6A-7/8"UNF | VEDI |
| | | 72-23,27x2,62 | |
| | RING | 72-37,37x2,62 | |
| | O-RING | 72-51,16x3,53 | |
| | O-RING | 72-58,07x3,53 | |
| | O-RING | 72-68,09x3,53 | |
| | 75 | GUARNIZIONE 75-58x41,5x9 | |
| | 75A | GUARNIZIONE 75-62x58x2 | |
| | 75B | GUARNIZIONE 75-74x69x3 | |
| | 75C | GUARNIZIONE 75-74x69x3 | |
| | 75D | GUARNIZIONE 75-120x108x4,5 | |
| | 78 | ANELLO LIP SEA 78-45CT03 050 "V" | TONDO |
| | 82 | MOLLE 82-5x15 DF1 | |
| | 82A | MOLLE 82-7x21 DF1.5 | |
| | 82B | MOLLE 82-2x10 DF0.3 | |
| | 90 | SPINA 90L-14x70 | |
| | 90A | SPINA 90L-16x40 | |
| | 90B | SPINA 90L-12x18 | |
| | 90C | SPINA 90E-4x20 UNI 6873-71 | |
| | 95 | CHIAVETTA 95-12x12x60 | |
| | 100 | RIDUTTORE 100-F BV5HW300F 20SX | S40K12 |
| | 100A | RIDUTTORE 100-F BV5HW300F 20DX | S40K12 |
| | | TARGETTA LT-0302/B | |

MODULAR

Construction: Split Bolted Body, Top Entry, Fully Welded, Screwed End Entry, Floating/Trunnion soft or Metal Seated

Main Design Codes: ASME B16.34, EEMUA 182, API 6A, API 6D

Pressure Class: ANSI 150# - 2500#

API 6A Pressure Class: 3000 - 10000

Size Range: Acc. to customer's request

Ends: Acc. to customer's request. Any combination and customized solutions can be provided (Ball/Needle/Ball or any other)



Construction: Monoflange & Special

Main Design Codes: ASME B16.34,
ASME B16.5

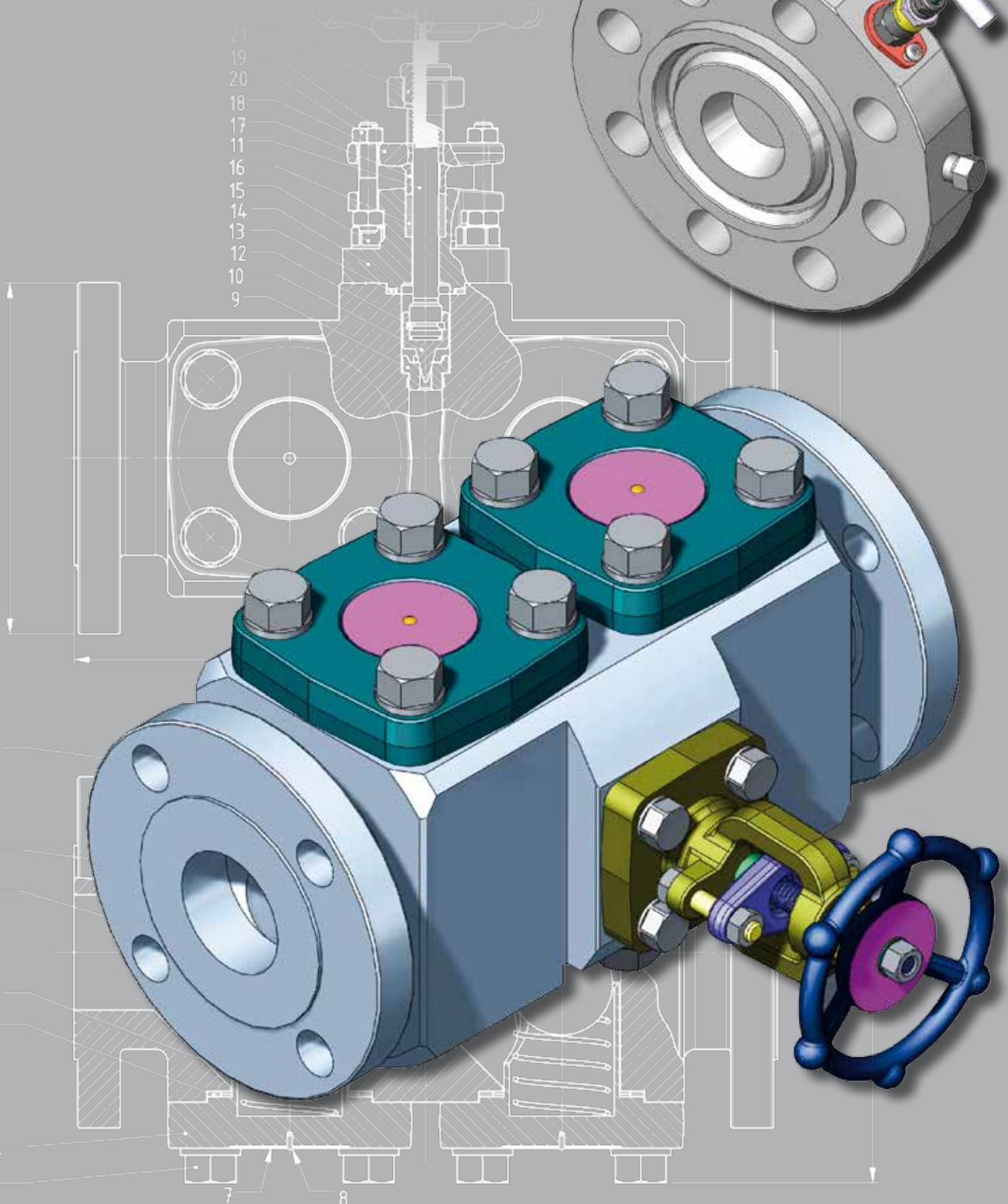
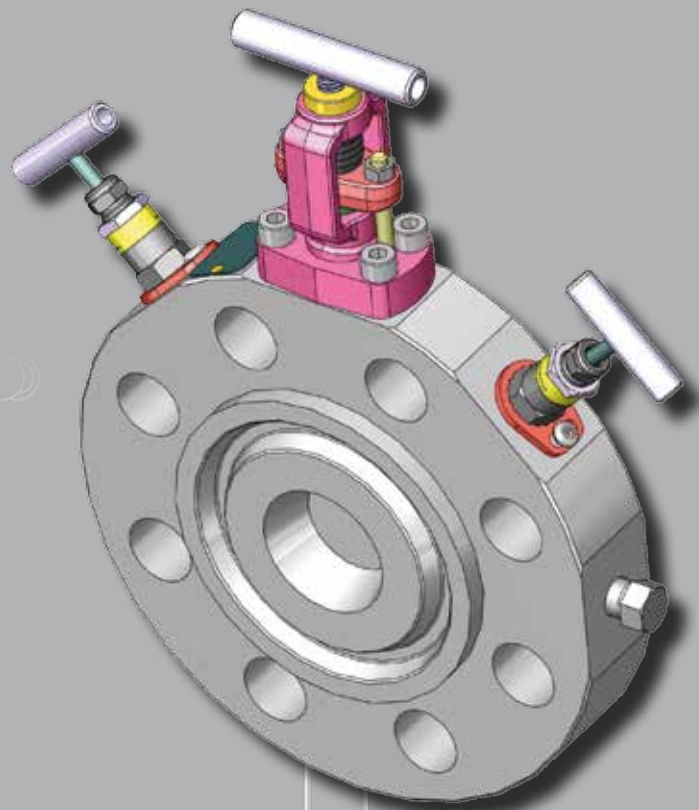
Pressure Class: ANSI 150# - 2500#

API 6A Pressure Class: 3000 - 10000

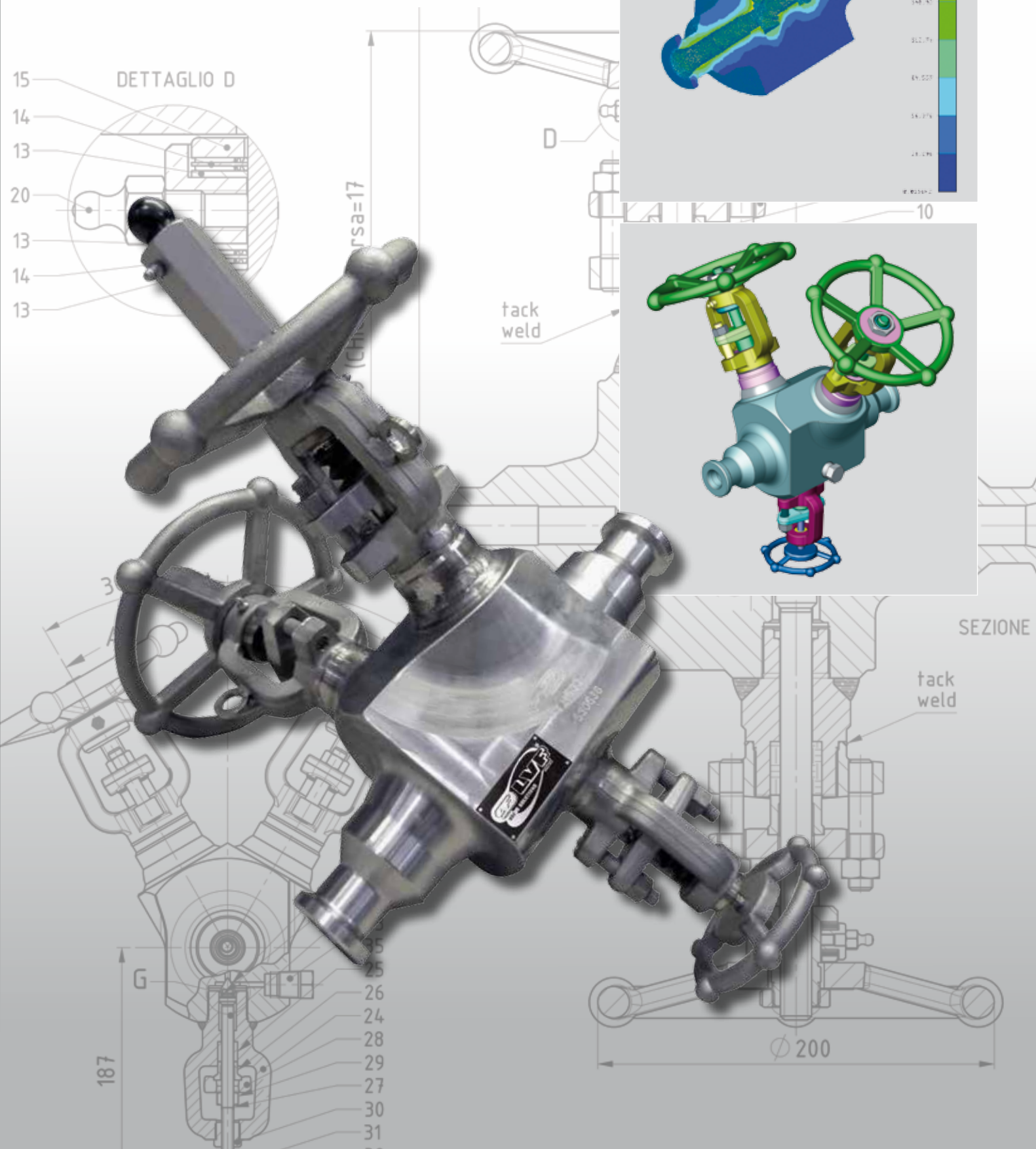
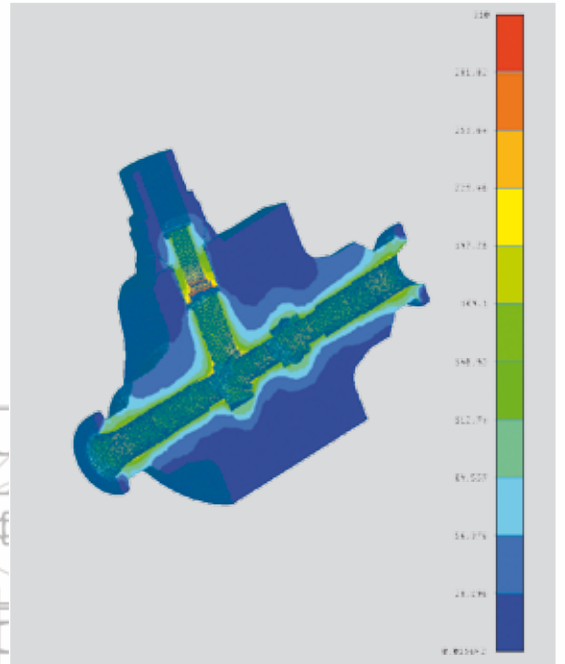
Size Range: Acc. to customer's request

Ends: Acc. to customer's request.

Any combination and customized solutions can be provided (Needle/ Needle/ Needle or any other)



Construction: Bolted Bonnet, Welded Bonnet
Main Design Codes: ASME B16.34, EEMUA 182, API6A
Pressure Class: ANSI 150# - 4500#
Size Range: Acc.to customer's request
API 6A Pressure Class: 3000 - 15000
Ends: NPT, BW, RF, RJ, HUB, Compact Flange
 Any combination can be provided (Gate/Needle/Gate or any other). Alternative customized solution can be provided including design for cryogenic service

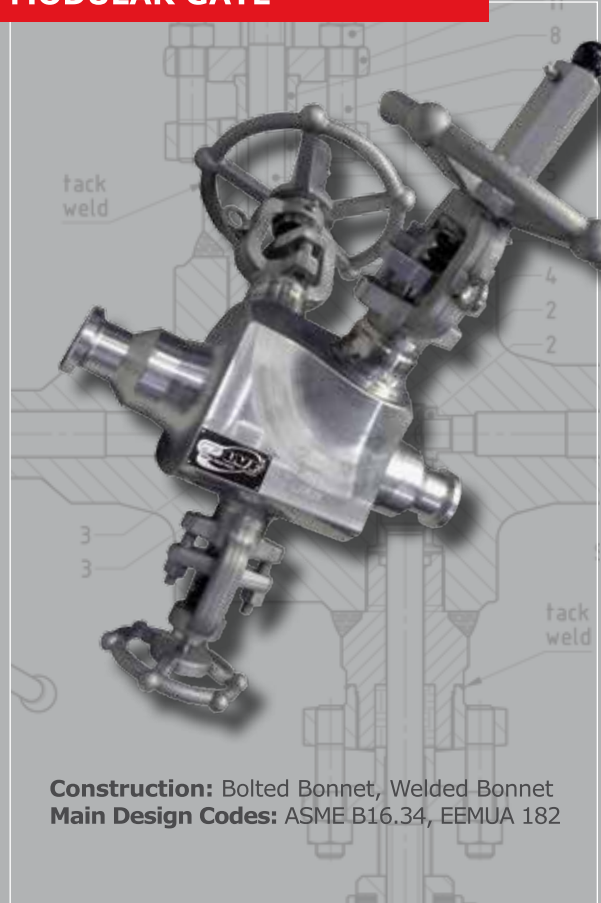


MODULAR BALL



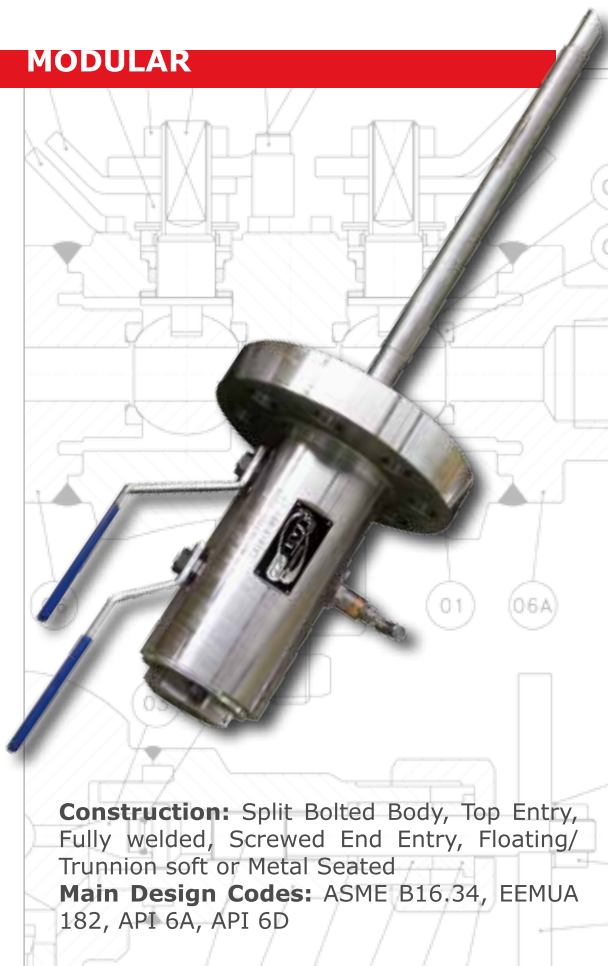
Construction: Split Bolted Body, Top Entry, Screwed End Entry, Soft or Metal Seated
Main Design Codes: ASME B16.34, EEMUA 182

MODULAR GATE



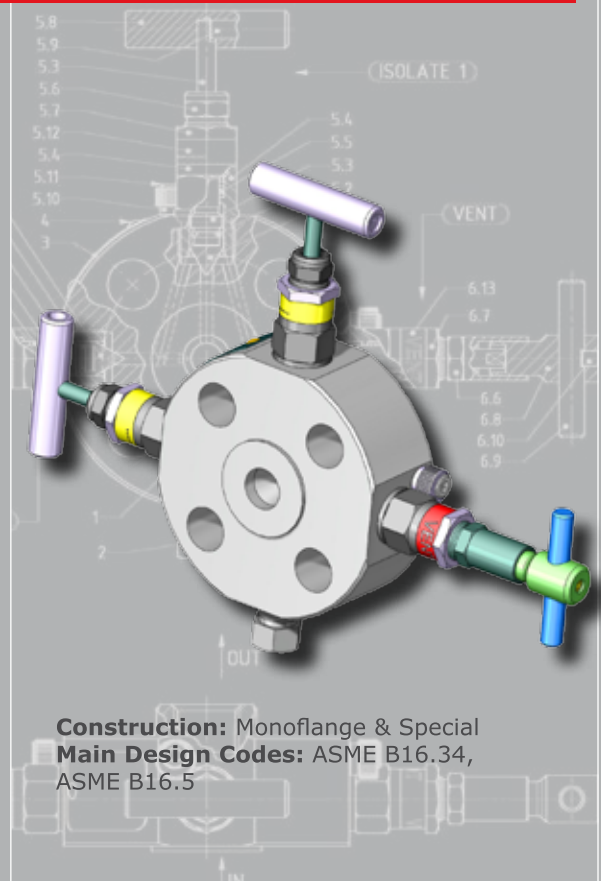
Construction: Bolted Bonnet, Welded Bonnet
Main Design Codes: ASME B16.34, EEMUA 182

MODULAR



Construction: Split Bolted Body, Top Entry, Fully welded, Screwed End Entry, Floating/Trunnion soft or Metal Seated
Main Design Codes: ASME B16.34, EEMUA 182, API 6A, API 6D

MODULAR



Construction: Monoflange & Special
Main Design Codes: ASME B16.34, ASME B16.5

The Company has a Quality Management System according to the requirements of ISO 9001 and is accredited to Pressure Equipment Directive 97/23/CE (PED).

LVF S.p.A. does manufacture and test all its products in accordance with international standards & codes issued by API-BS-ASME etc. Valve test facilities are available in house and non-destructive testing is performed by certified level II inspectors.



API 6A



ISO 14001



API 6D



ATEX



ISO 9001

ACHILLES JQS



PED



SIL-BALL



SIL-GATE